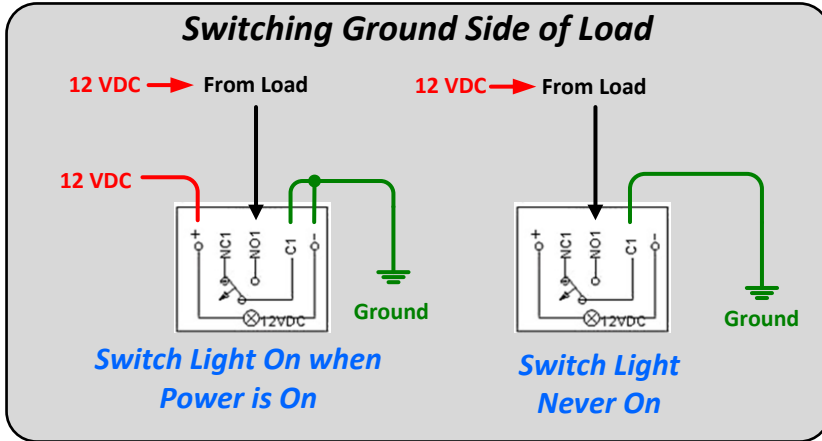


Angel Eye Switch Wiring Suggestions



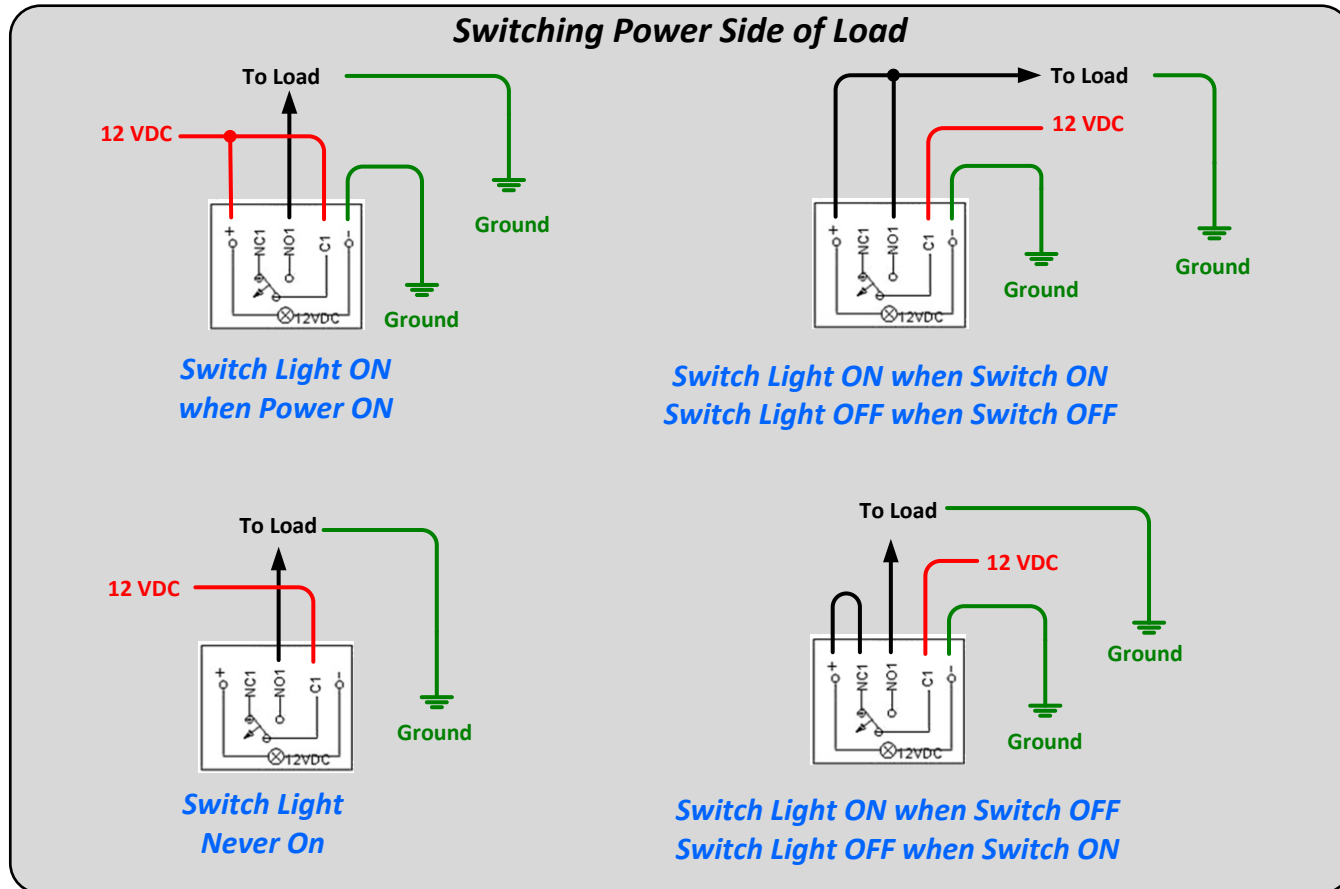
Forza Componenti



The Forza Exhaust Controller uses Switching Ground Side of Load



The Angel Eye switch can be used for other applications (e.g., switching accessories, LED lights, etc.)



Contact Labels

The switch may look different than shown. The contact positions are marked on the switch body or the bottom surface of the switch.

The contact labels are:

- + This is for connection to a positive current source
- Connection to ground
- NC Normally Closed contact
- NO Normally Open contact
- C Common contact